



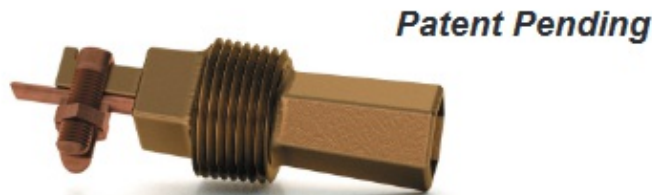
LISTED  
40YZ

# POOLBOND

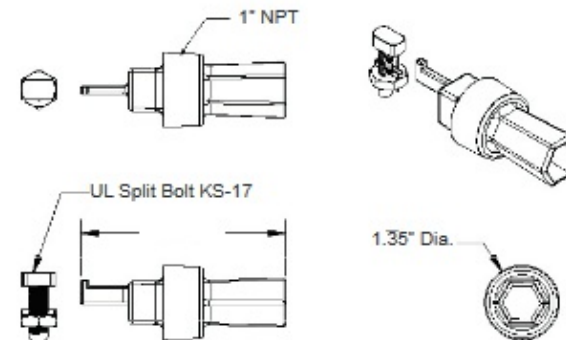
Patent Pending

## Water Bonding Fitting

*The 2008 National Electrical Code requires that an intentional electrical bond be made to the pool water. This electrical contact to the pool water must be bonded (connected to) the swimming pool bonding grid. This requirement is spelled out in Section 680.26(C) of the National Electrical Code. PoolBond is an economical, easy to install fitting that meets the requirement of the 2008 Code.*



**POOLBOND  
WATER BONDING FITTING  
PB-2008**



## PoolBond Special Product Features

*One Piece Compact Cast Bronze Construction*

*1" NPT Male Threads All you need to do is plumb it in and  
attach #8 wire from the bonding grid*

*Utilizes Burndy Type Split Bolt Bonding Lug*

*Can be installed in pool plumbing anywhere below water line*